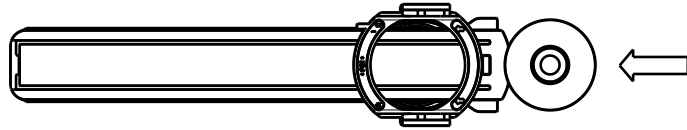


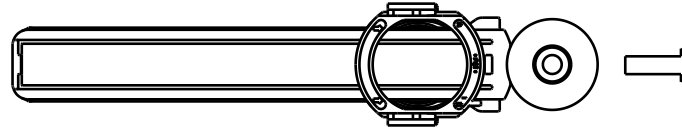
TECHNICAL DATA FOR REFERENCE ONLY!!

UNIT LINEARDAMPER 1 WAY
 46-0083XX

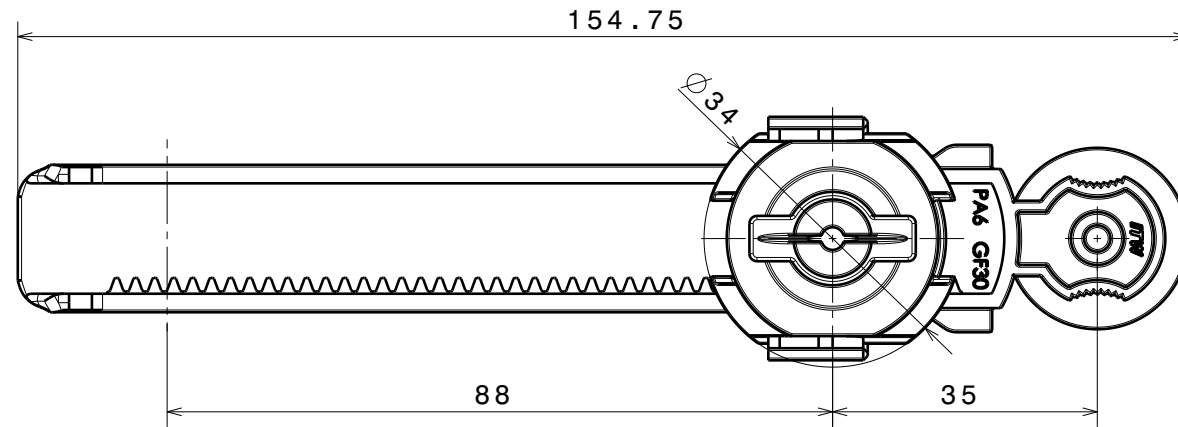


DIRECTION OF DAMPING

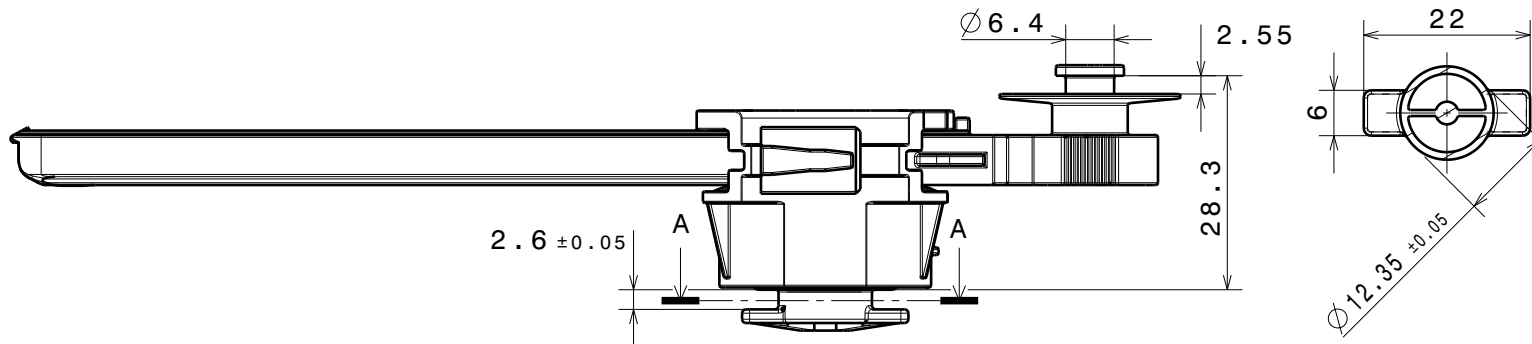
UNIT LINEARDAMPER 1 WAY
 46-0083XX



DIRECTION OF DAMPING



Note: Rack is available in different lengths upon request.



Force (N at 22.5mm/sec)	Force ID
28 ± 4.0	G
22 ± 4.0	W
17 ± 3.0	R
12 ± 2.5	A
6.5 ± 1.0	T

LINEAR DAMPER
 1 way

PART NO.

46008FRL