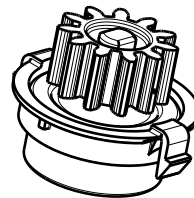
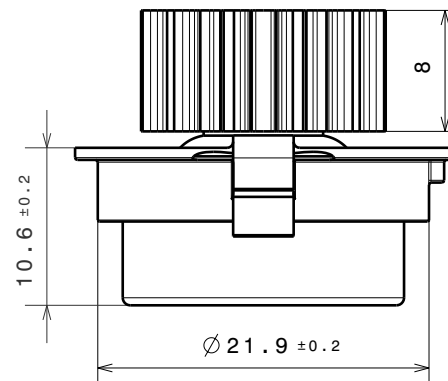
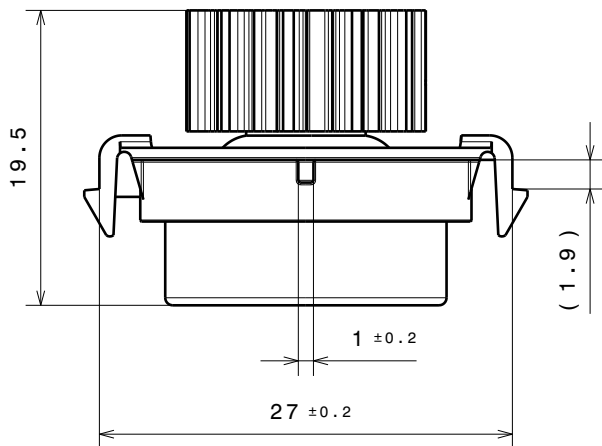
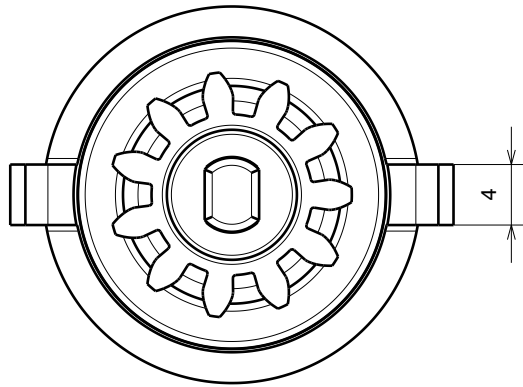


TECHNICAL DATA FOR REFERENCE ONLY!!



GEAR SPEZIFIKATION	
tooth engagement	20°
module	1.25
number of teeth	11

Torque at 23°C and 20 rpm	Torque ID
9.5 ± 1.4 Ncm	B
6.7 ± 0.8 Ncm	G
3.8 ± 0.7 Ncm	R
1.0 ± 0.5 Ncm	T

LARGE REAR-SNAP DAMPER  
 11 TOOTH  
**46005LRS-2**  
**PART NO. 46-005LRS-2**