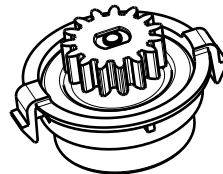
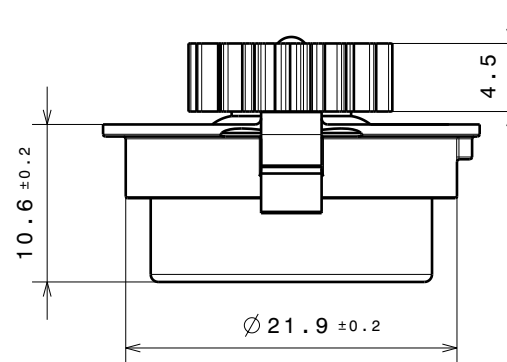
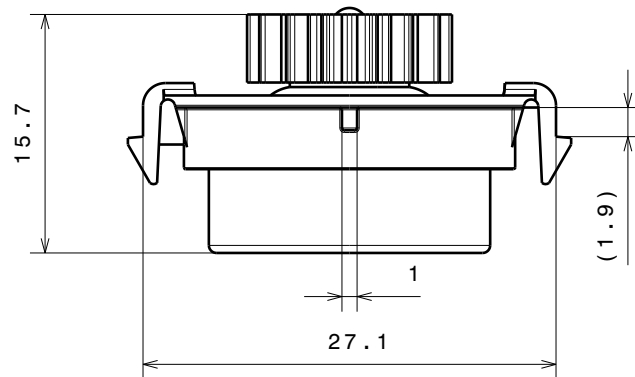
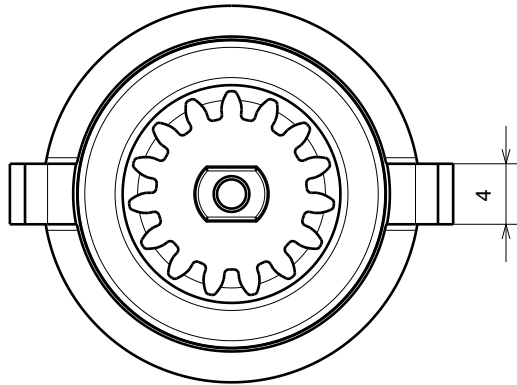


TECHNICAL DATA FOR REFERENCE ONLY!!



Torque at 23°C and 20 rpm	Torque ID
9.5 ± 1.4 Ncm	B
6.7 ± 0.8 Ncm	G
3.8 ± 0.7 Ncm	R

GEAR SPEZIFIKATION	
tooth engagement	20°
module	0.8
number of teeth	15

LARGE REAR SNAP DAMPER
 15 TOOTH
46005LRS-15
PART NO. 46-005LRS-15