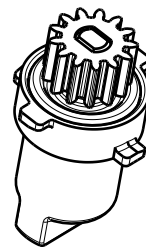
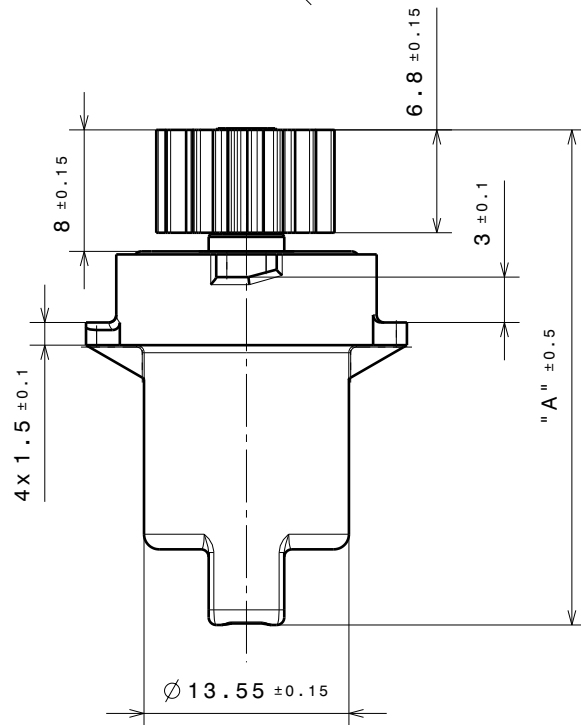
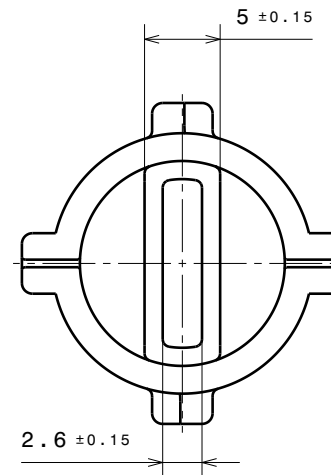
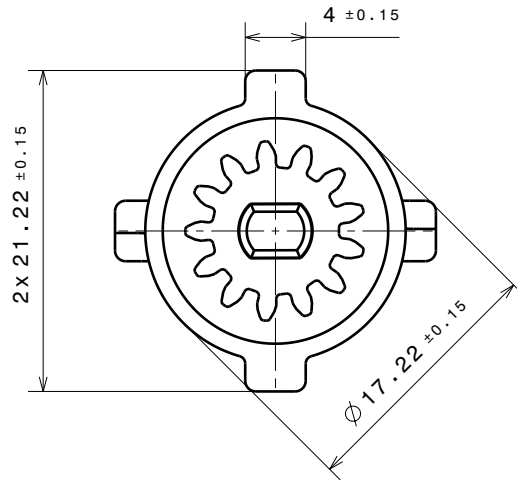


TECHNICAL DATA FOR REFERENCE ONLY!!



Dim "A"	Torque at 23°C and 20 rpm.	Torque ID
18.3	1.00 ± 0.50 Ncm	R
24.7	2.00 ± 0.50 Ncm	R
18.3	2.40 ± 0.70 Ncm	G
24.7	4.00 ± 0.70 Ncm	G
18.3	3.10 ± 0.70 Ncm	B
24.7	5.30 ± 1.10 Ncm	B

GEAR SPECIFICATION	
tooth engagement	20°
module	0.8
number of teeth	13

BARREL GEAR DAMPER

460052HS

PART NO. 46-0052HS