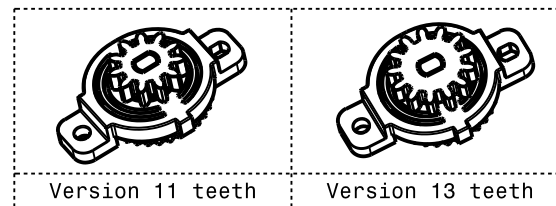
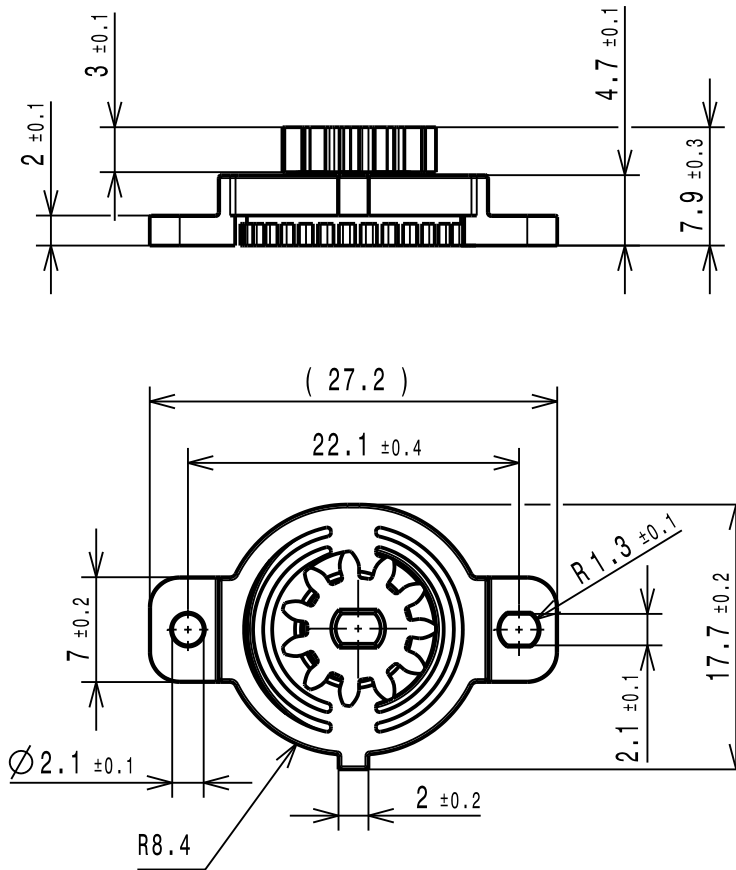


TECHNICAL DATA FOR REFERENCE ONLY!!



Gear Specification	
tooth engagement	20° : 14.5°
module	0.8 : 0.8
number of teeth	11 : 13
pitch diameter	8.8 : 10.4

Torque at RT and 20 rpm.	Torque ID
0.15 ± 0.10 Ncm	T
0.50 ± 0.12 Ncm	R
0.95 ± 0.15 Ncm	G
1.40 ± 0.18 Ncm	B
1.75 ± 0.25 Ncm	K
2.30 ± 0.35 Ncm	V

SMALL ONE-WAY STANDARD DAMPER

PART NO.

46-0067TG