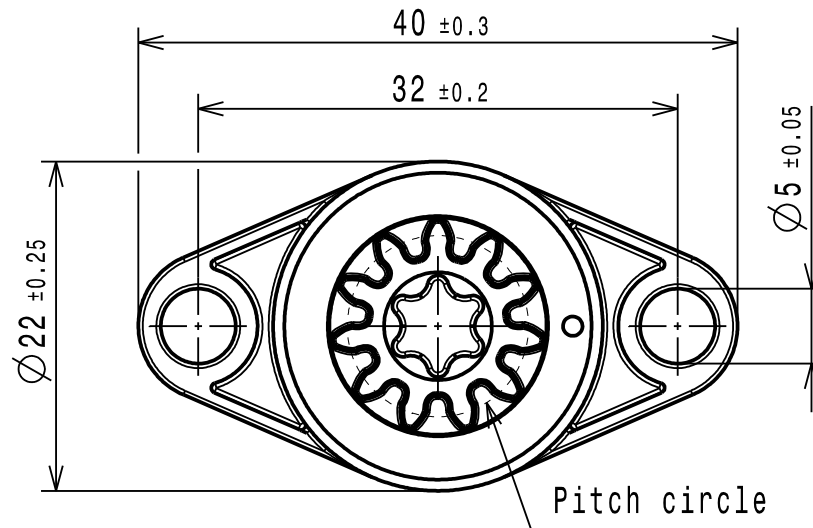
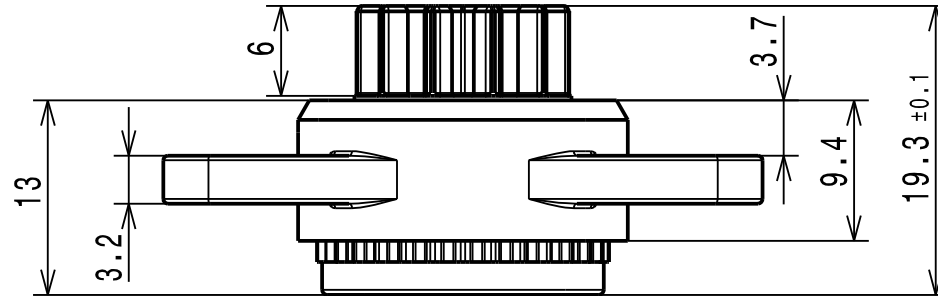
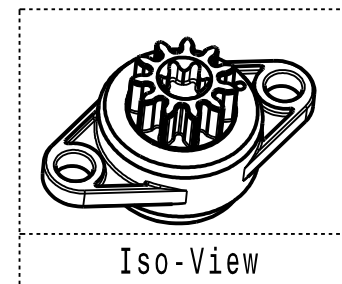


TECHNICAL DATA FOR REFERENCE ONLY!!



Torque at RT and 20 rpm	Torque ID	Color
2.2 ± 0.5 Ncm	Y	Yellowgreen
4.0 ± 0.7 Ncm	E	Black
7.0 ± 1.2 Ncm	L	White
12.0 ± 2.0 Ncm	M	Gray

Gear Specification	
tooth engagement	20°
module	1.1
number of teeth	11
pitch diameter	12.1



ROTARY LARGE STANDARD DAMPER	
30864	
PART No. 30864-9-X6X	