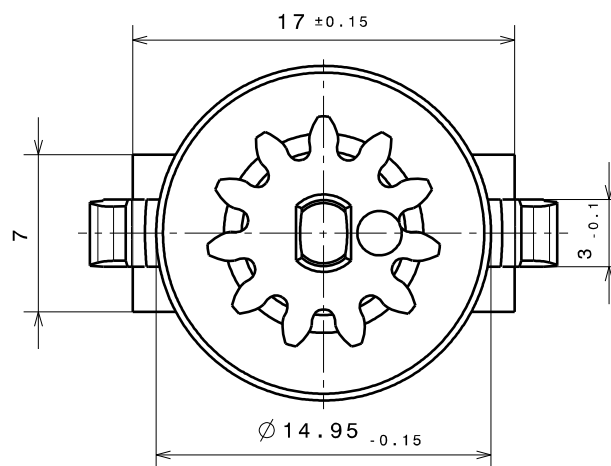
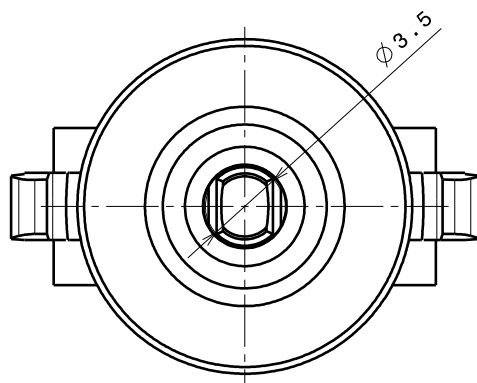
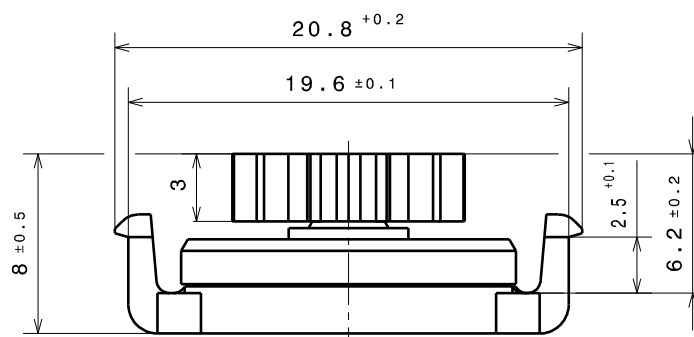
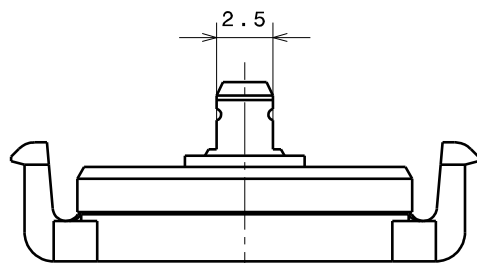
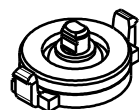


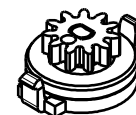
TECHNICAL DATA FOR REFERENCE ONLY!!



| Torque at RT and 20 rpm | Torque ID |
|-------------------------|-----------|
| 2.50 ± 0.45 Ncm | I |
| 2.20 ± 0.40 Ncm | M |
| 1.50 ± 0.30 Ncm | F |
| 1.10 ± 0.25 Ncm | L |
| 0.95 ± 0.20 Ncm | Z |
| 0.70 ± 0.17 Ncm | D |
| 0.55 ± 0.15 Ncm | E |
| 0.45 ± 0.15 Ncm | S |
| 0.25 ± 0.10 Ncm | Y |
| 0.15 ± 0.08 Ncm | H |



| Torque at RT and 20 rpm | Torque ID |
|-------------------------|-----------|
| 2.50 ± 0.29 Ncm | I |
| 2.20 ± 0.26 Ncm | M |
| 1.50 ± 0.17 Ncm | F |
| 1.10 ± 0.13 Ncm | L |
| 0.95 ± 0.11 Ncm | Z |
| 0.70 ± 0.08 Ncm | D |
| 0.55 ± 0.08 Ncm | E |
| 0.45 ± 0.09 Ncm | S |
| 0.25 ± 0.06 Ncm | Y |
| 0.15 ± 0.07 Ncm | H |



| GEAR SPECIFICATION | |
|--------------------|-----|
| tooth engagement | 20° |
| module | 0.8 |
| number of teeth | 11 |

G FRONT CLIP DAMPER

30250

with or without gear

PART NO. 30250-9-0X-0XX