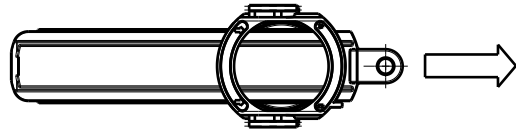


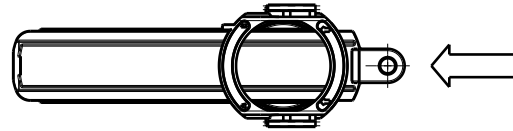
TECHNICAL DATA FOR REFERENCE ONLY!!

30659-9-xx-03x

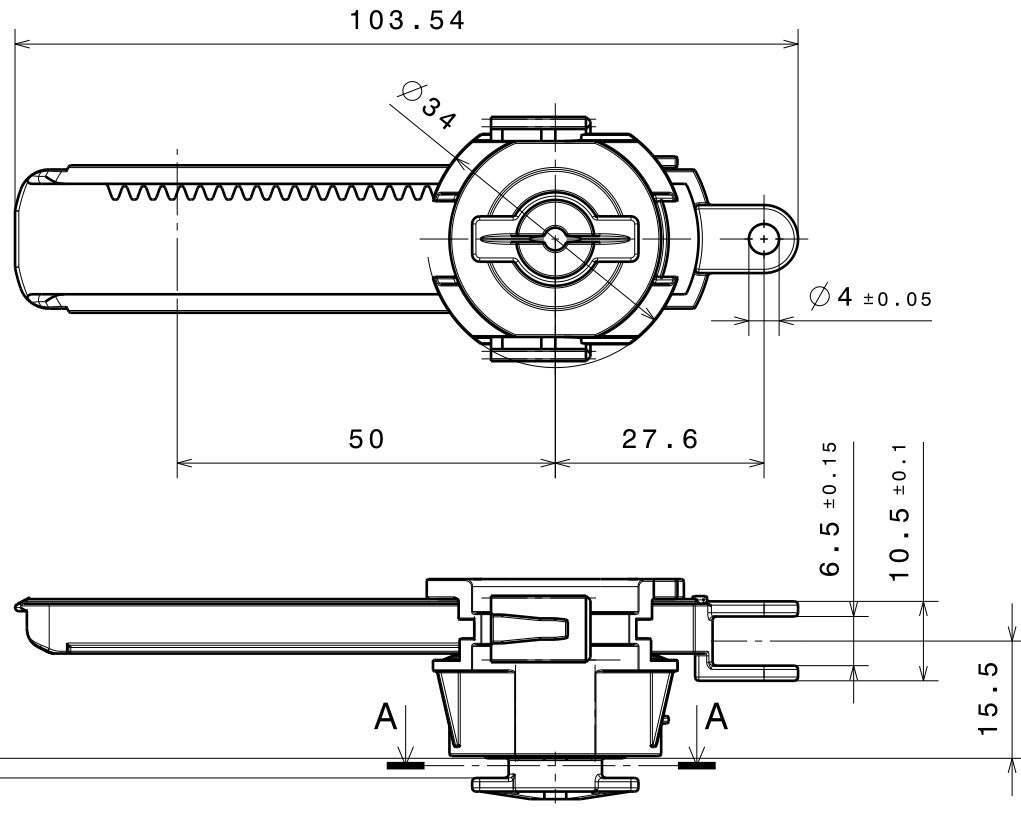
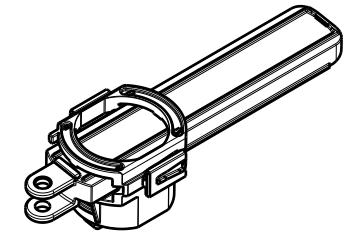


DIRECTION OF DAMPING

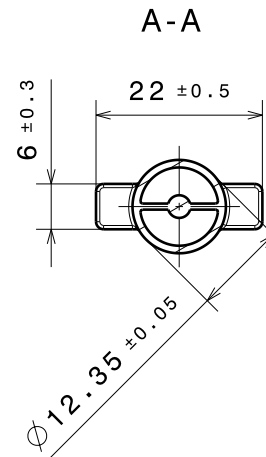
30660-9-xx-03x



DIRECTION OF DAMPING



Note: Rack is available in different lengths upon request.



| Torque at 23°C and 20 rpm. | Torque ID |
|----------------------------|-----------|
| 12.00 ± 2.00 Ncm           | M         |
| 9.00 ± 1.50 Ncm            | F         |
| 7.00 ± 1.20 Ncm            | L         |
| 5.40 ± 0.90 Ncm            | Z         |
| 4.00 ± 0.70 Ncm            | E         |
| 3.00 ± 0.60 Ncm            | S         |
| 2.40 ± 0.50 Ncm            | C         |
| 2.20 ± 0.50 Ncm            | Y         |

LINEAR DAMPER  
 1 way  
**30659/60**  
 PART NO. 30659/61-9-0X-03X