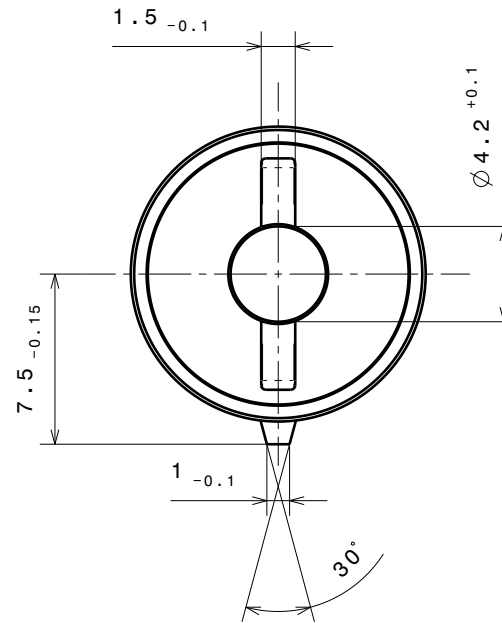
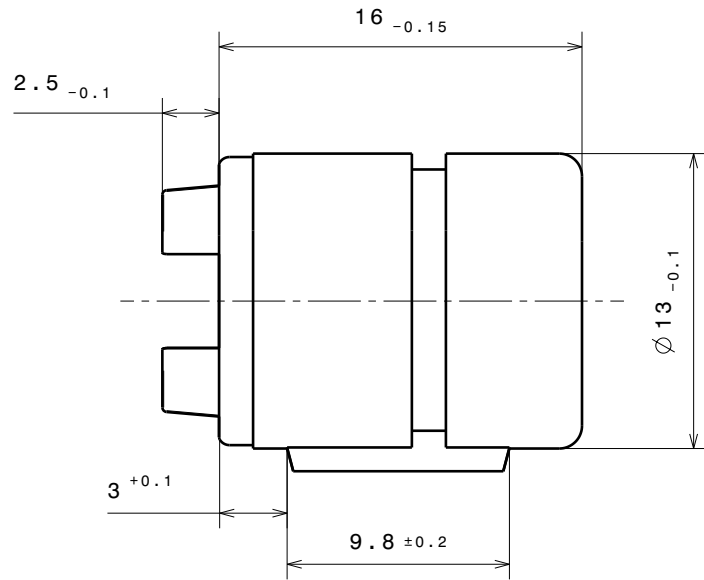


TECHNICAL DATA FOR REFERENCE ONLY!!



Torque at RT and 20 rpm.

**$8.0 \pm 1.2$  Ncm**

16 mm HINGE DAMPER  
 2.5 mm RIB

**30528**

PART NO. 30528-9-0X-00x