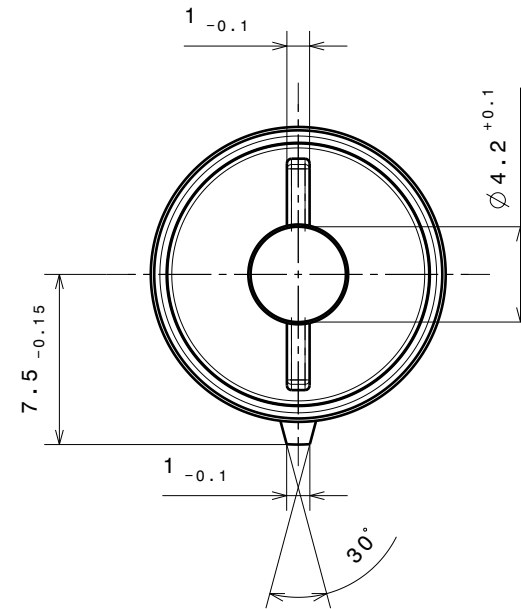
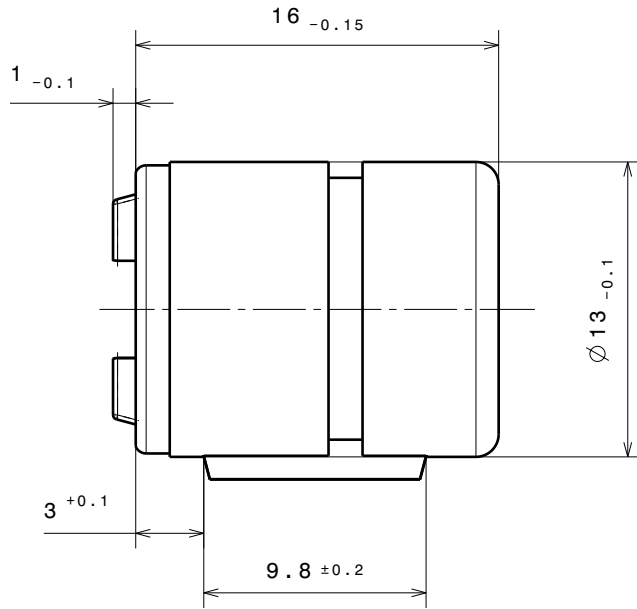


TECHNICAL DATA FOR REFERENCE ONLY!!



Torque at RT and 20 rpm.

6.2 ± 0.7 Ncm

16 mm HINGE DAMPER
1 mm RIB

30476

PART NO. 30476-9-0X-00x