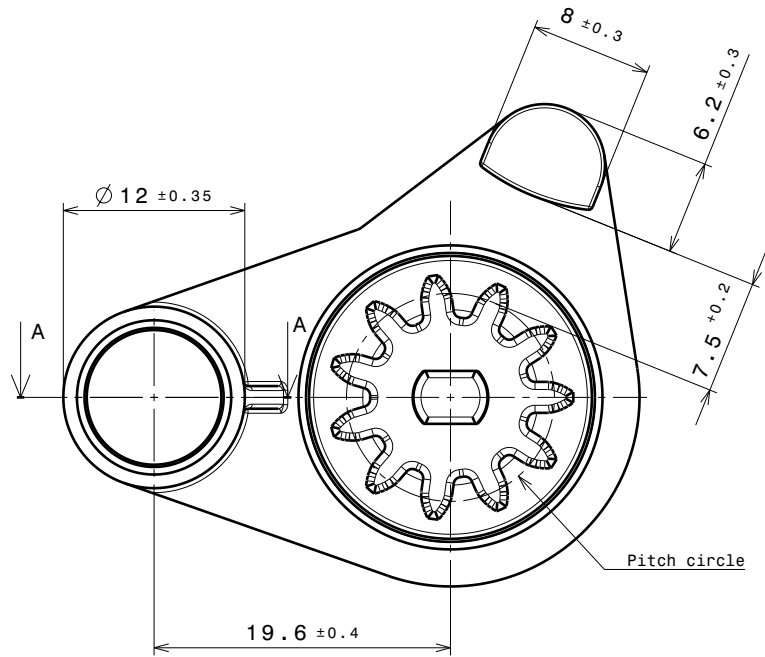
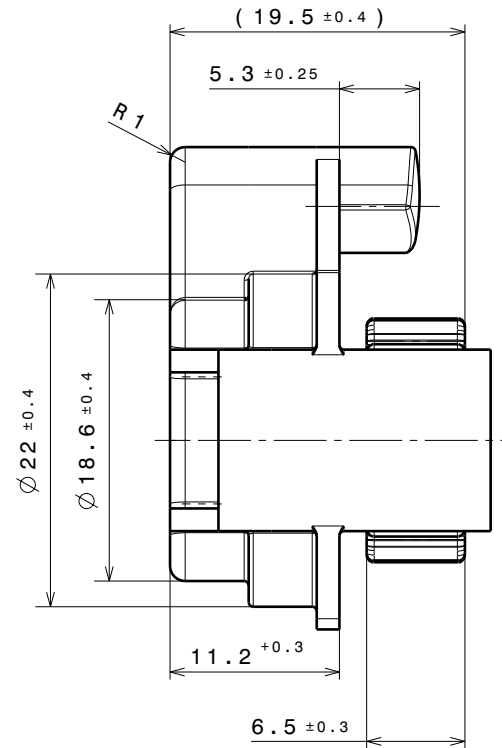
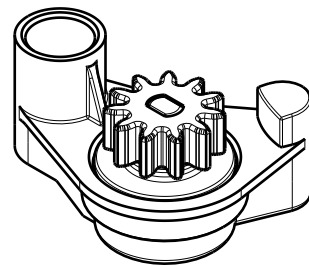
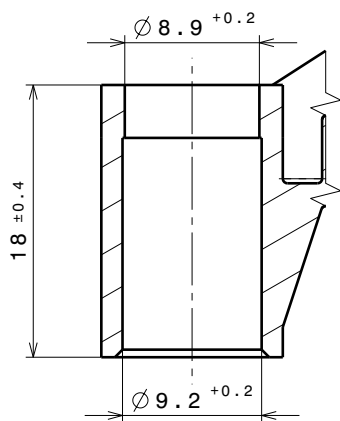


TECHNICAL DATA FOR REFERENCE ONLY!!



A-A



Torque at RT and 20 rpm.	Torque ID
8.20 ± 1.50 Ncm	Blue
2.60 ± 0.60 Ncm	Brown
1.40 ± 0.35 Ncm	Yellow
0.90 ± 0.30 Ncm	Beige

GEAR SPECIFICATION	
tooth engagement	20°
module	1.25
number of teeth	11

PIVOT GEAR DAMPER

30089

PART NO. 30089-9-0X-02X