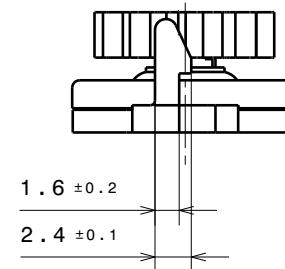
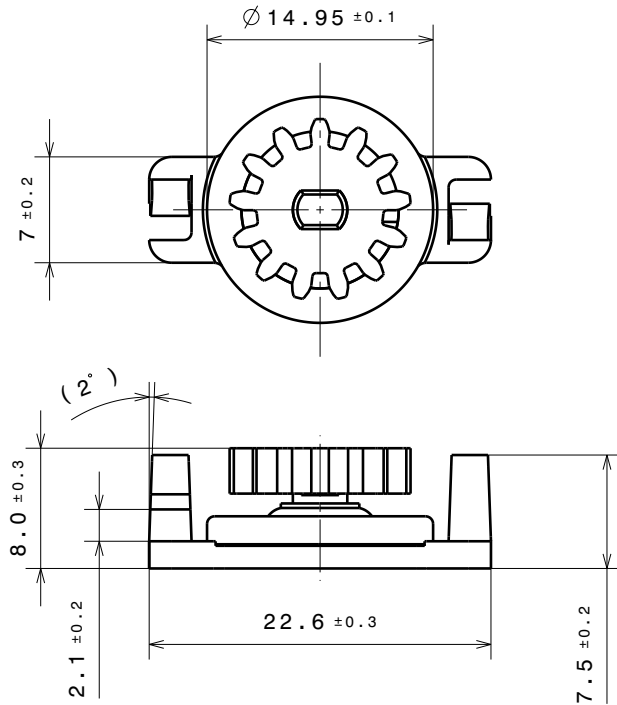


TECHNICAL DATA FOR REFERENCE ONLY!!



Torque at 22°C and 25 rpm.	Torque ID
1.97 ± 0.28 Ncm	K
1.48 ± 0.28 Ncm	B
0.99 ± 0.28 Ncm	G
0.53 ± 0.18 Ncm	R
0.18 ± 0.11 Ncm	T

GEAR SPECIFICATION		
tooth engagement	20°	14.5°
module	0.8	0.8
number of teeth	11	13

SELF-ALIGNING GEAR DAMPER

460045

with or without gear
PART NO. 46-0045XX

