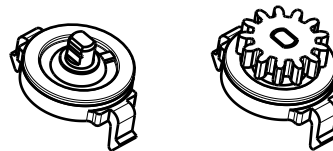
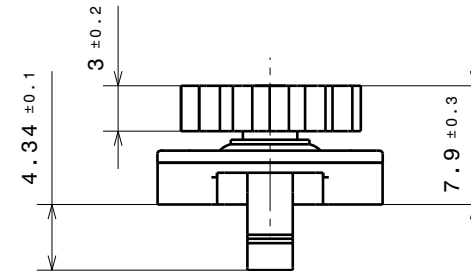
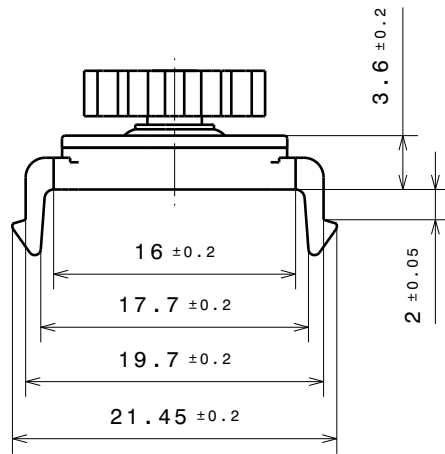
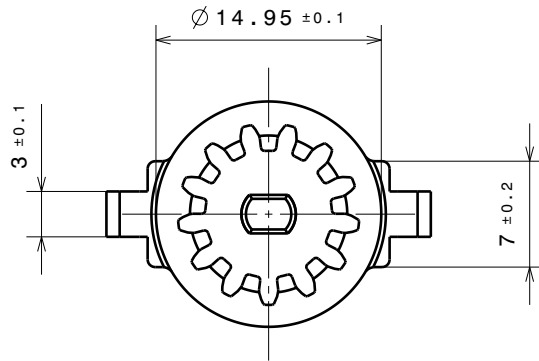


TECHNICAL DATA FOR REFERENCE ONLY!!



Torque at 22°C and 20 rpm.	Torque ID
2.30 ± 0.35 Ncm	V
1.75 ± 0.25 Ncm	K
1.40 ± 0.18 Ncm	B
0.95 ± 0.15 Ncm	G
0.50 ± 0.12 Ncm	R
0.15 ± 0.07 Ncm	T

GEAR SPECIFICATION		
tooth engagement	20°	14.5°
module	0.8	0.8
number of teeth	11	13

TT REAR CLIP-IN GEAR DAMPER

460062

with or without gear
PART NO. 46-0062XX